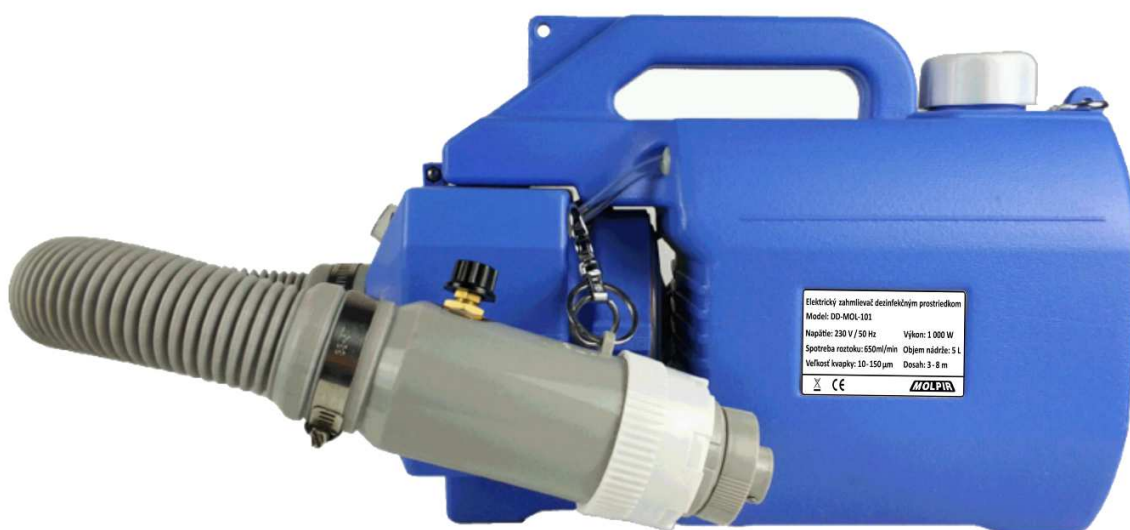


Electric disinfection cold fogger; 230 V DC; 1000 W

Ordering code: DD-MOL-101



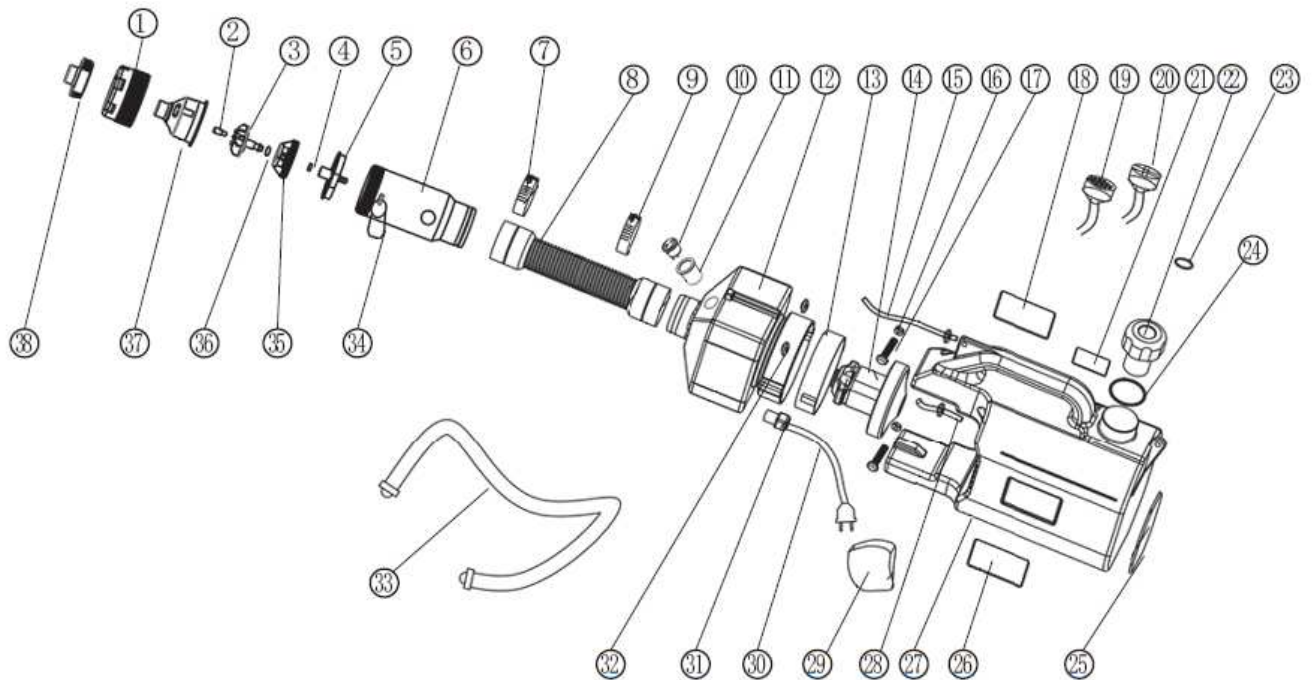
General information

- The equipment for creating so-called cold fog from a solution of distilled water and a disinfectant containing an active substance (e.g. Oxychlorine) is used to disinfect industrial and social areas, vehicles, households, small businesses, public and outdoor areas, playgrounds, etc.
- Powerful motor for high work efficiency and fine spraying of disinfectant (so-called cold fog) with adjustable droplets size.
- Large disinfectant solution tank with automatic pressure valve for preventing disinfectant solution leaking.
- Flexible hose for comfortable and precise direction of sprayed disinfectant.



A disinfectant solution containing alcohol, oil, liquid gases or perfumes must not be used in this device. Use of such disinfectant solution may cause a fire or explosion!

Main components



Pos.	Item description	Pos.	Item description
1	Sprayer head	20	Check valve
2	Nozzle core	21	Warning lamp
3	Nozzle	22	Tank cap
4	Washer	23	O-ring 7,1*1,8
5	Spray head bracket	24	O-ring 47*3,5
6	Spray head shell	25	Warning lamp
7	Clamp 40-63	26	Label
8	Corrugated hose	27	Tank
9	Clamp 40-63	28	Inlet pipe (suction)
10	Switch	29	Filter foam
11	Switch housing	30	Power cable
12	Motor shield	31	PG-7 power connector
13	Seal ring	32	Rubber ring 7 mm
14	Motor	33	Carrying strap
15	Outlet pipe	34	Hook
16	Cap nut M4	35	Sprayer head bracket
17	Screw M4*18	36	O-ring 6*1,8
18	Label	37	Spray head cap
19	Filter	38	Damper



Technical specification

electrical fogger; ordering code	DD-MOL-101
power supply	230 V / 50 Hz
power	1000 W
disinfectant tank volume	5 liters
disinfectant consumption	max. 470 ml/min. (depending on droplets size adjustment)
droplet size	10 – 150 µm adjustable
effective reach	6 – 8 m
weight	2,6 kg
bruto weight	3,7 kg
dimensions	570 x 250 x 335 mm